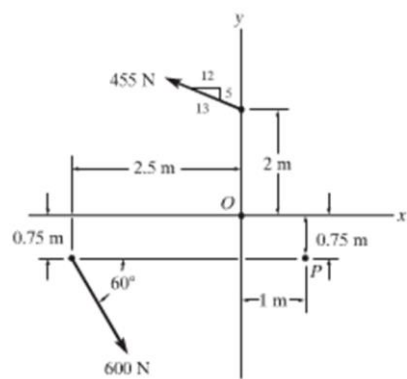
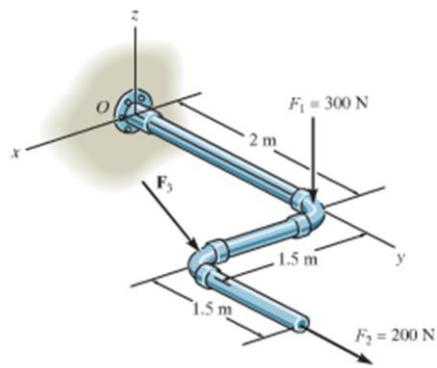


4-98. Replace the force system by an equivalent resultant force and couple moment at point P .



Probs. 4-97/98

4-108. Replace the force system by an equivalent resultant force and couple moment at point O . Take $\mathbf{F}_3 = \{-200\mathbf{i} + 500\mathbf{j} - 300\mathbf{k}\}$ N.



Prob. 4-108

Replace the force system with a resultant force acting **ALONG the X-AXIS** (Origin at A).

Hint: you still must account for the moment based on how far along the x-axis

